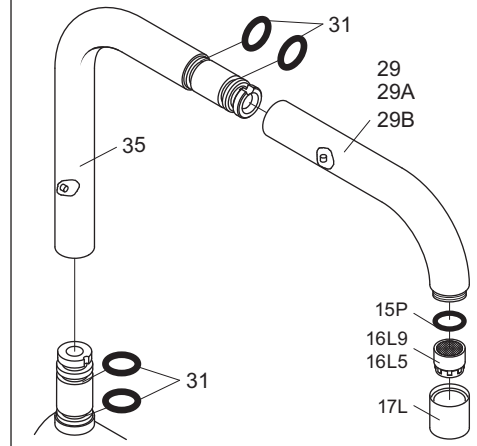
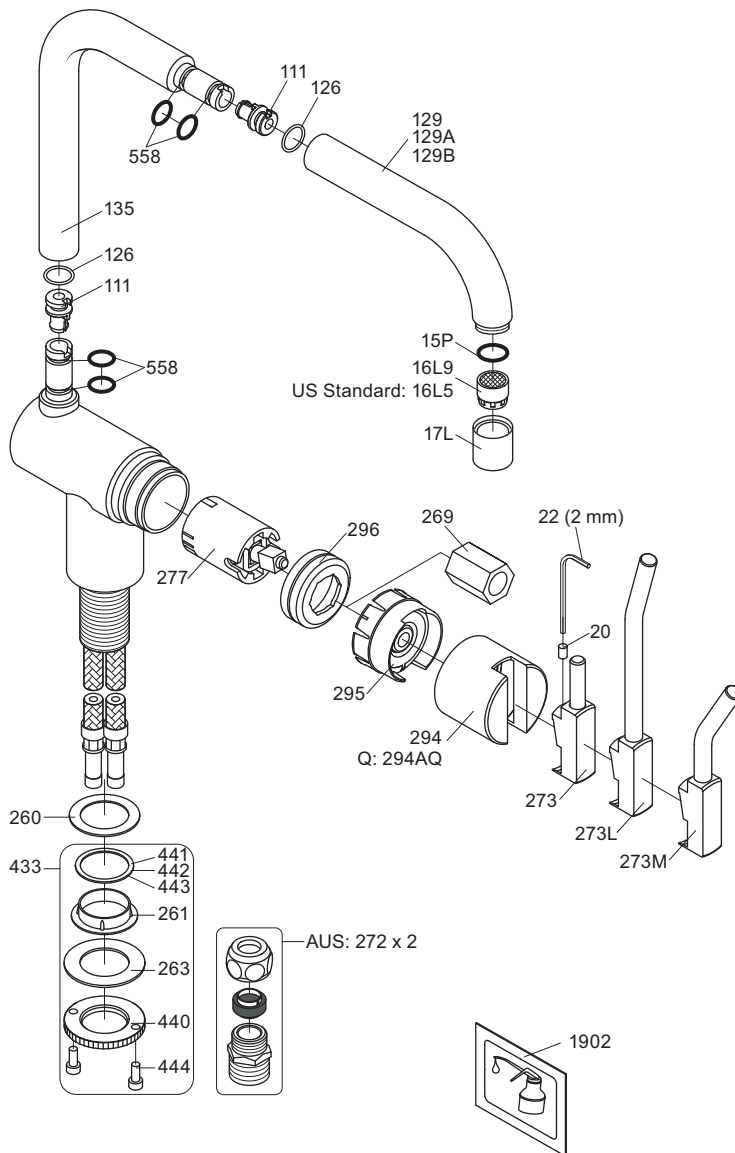
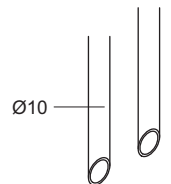


Colour: paint + 16, 19, 20

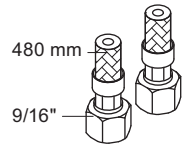
VR30: Colour: paint + 16, 19, 20 (1972 - 12. 2012)



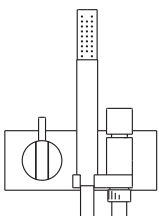
KV1: Ø10
KV1US: Ø3/8"
KV1Q: Ø3/8"



FKV1US:



- NR.10: VR20, VR22, VR273, VR294, VR295
 VR17LK5: VR15P, VR16L5, VR17L (US Standard)
 VR17LK9: VR15P, VR16L9, VR17L
 VR30 F40: VR15P, VR16L9, VR17L, VR29P, 4xVR31, VR35, VR1902
 VR090: VR15P, VR17L, 4xVR31, VR1902
 VR128: VR15P, VR16L9, 4xVR558, VR1902
 VR130: VR15P, VR16L9, VR17L, 2xVR111, VR126, VR129, VR135, 4xVR558, VR1902
 VR277K: VR22, VR269, VR277
 VR297: VR20, VR22, VR269, VR273, VR277, VR294, VR295, VR296
 VR433: VR261, VR263, VR440, VR441, VR442, VR443, 2xVR444



VOLA A/S
 Lunavej 2
 DK-8700 Horsens
 Tlf : + 45 7023 5500
 Fax: + 45 7023 5511
 sales@vola.com
 www.vola.com

VOLA KV1
VOLA KV1Q
VOLA KV1US

Dato

Nov. 12

Rev.

6

Blad

SB 25.2