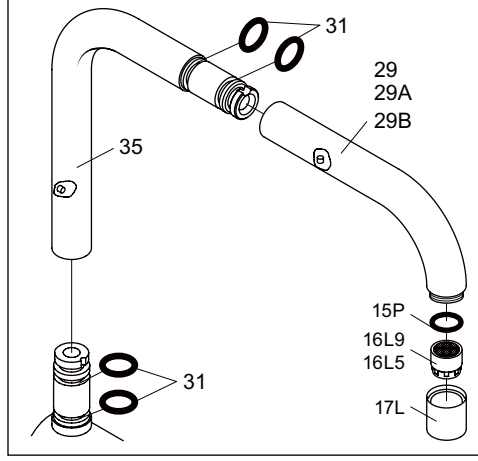
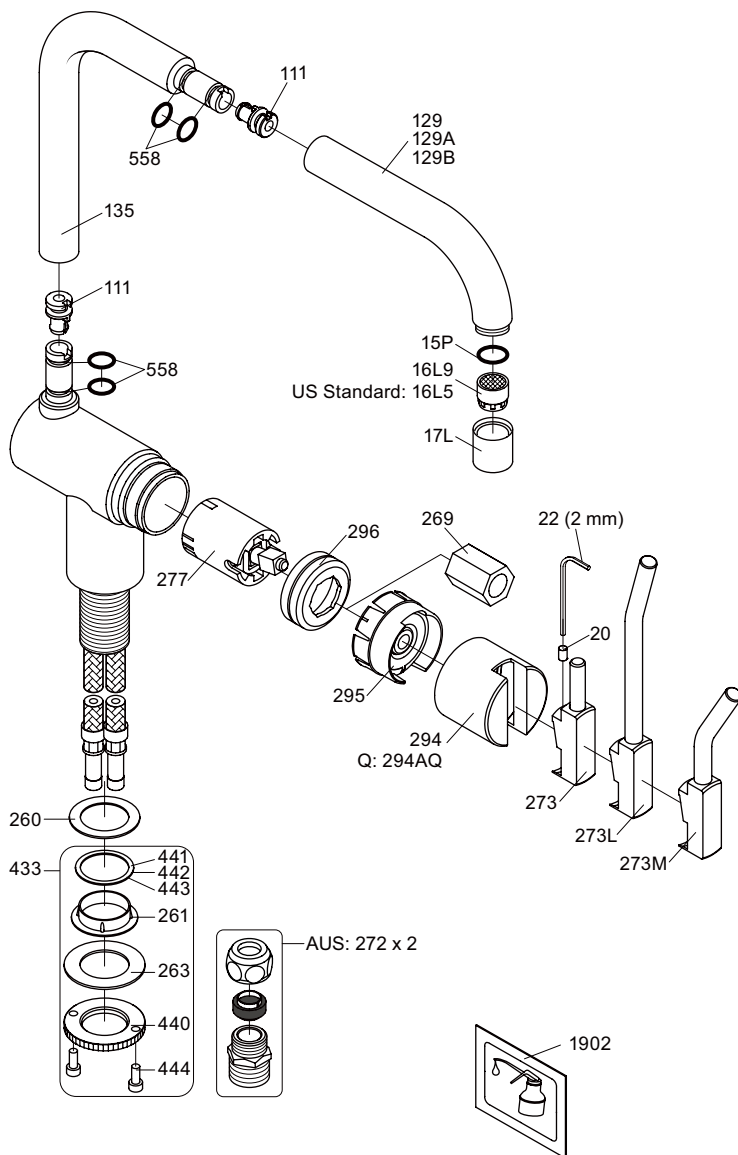
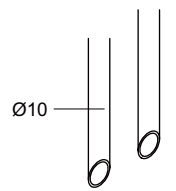


Colour: paint + 16, 19, 20

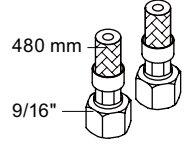
VR30: Colour: paint + 16, 19, 20 (1972 - 12. 2012)



KV1: Ø10  
KV1US: Ø3/8"  
KV1Q: Ø3/8"



FKV1US:



- NR.10: VR20, VR22, VR273, VR294, VR295
- VR17LK5: VR15P, VR16L5, VR17L (US Standard)
- VR17LK9: VR15P, VR16L9, VR17L
- VR30 F40: VR15P, VR16L9, VR17L, VR29P, 4xVR31, VR35, VR1902
- VR090: VR15P, VR17L, 4xVR31, VR1902
- VR128: VR15P, VR16L9, 4xVR558, VR1902
- VR130: VR15P, VR16L9, VR17L, 2xVR111, VR129, VR135, 4xVR558, VR1902
- VR277K: VR22, VR269, VR277
- VR297: VR20, VR22, VR269, VR273, VR277, VR294, VR295, VR296
- VR433: VR261, VR263, VR440, VR441, VR442, VR443, 2xVR444



**vola**  
Lunavej 2  
DK-8700 Horsens  
Tlf : + 45 7023 5500  
Fax: + 45 7023 5511  
sales@vola.com  
www.vola.com

# VOLA KV1

Date	Mar. 16
Rev.	7
Sheet	SB 25.2